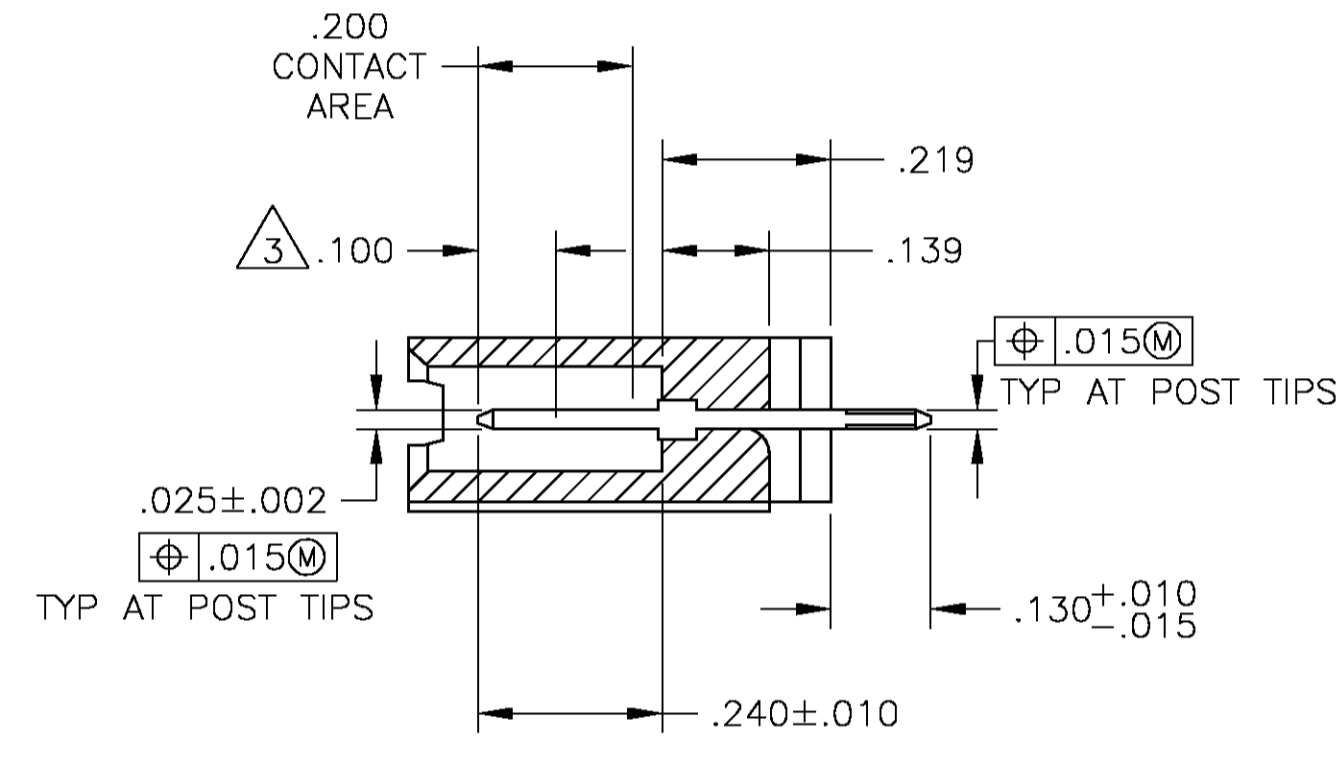
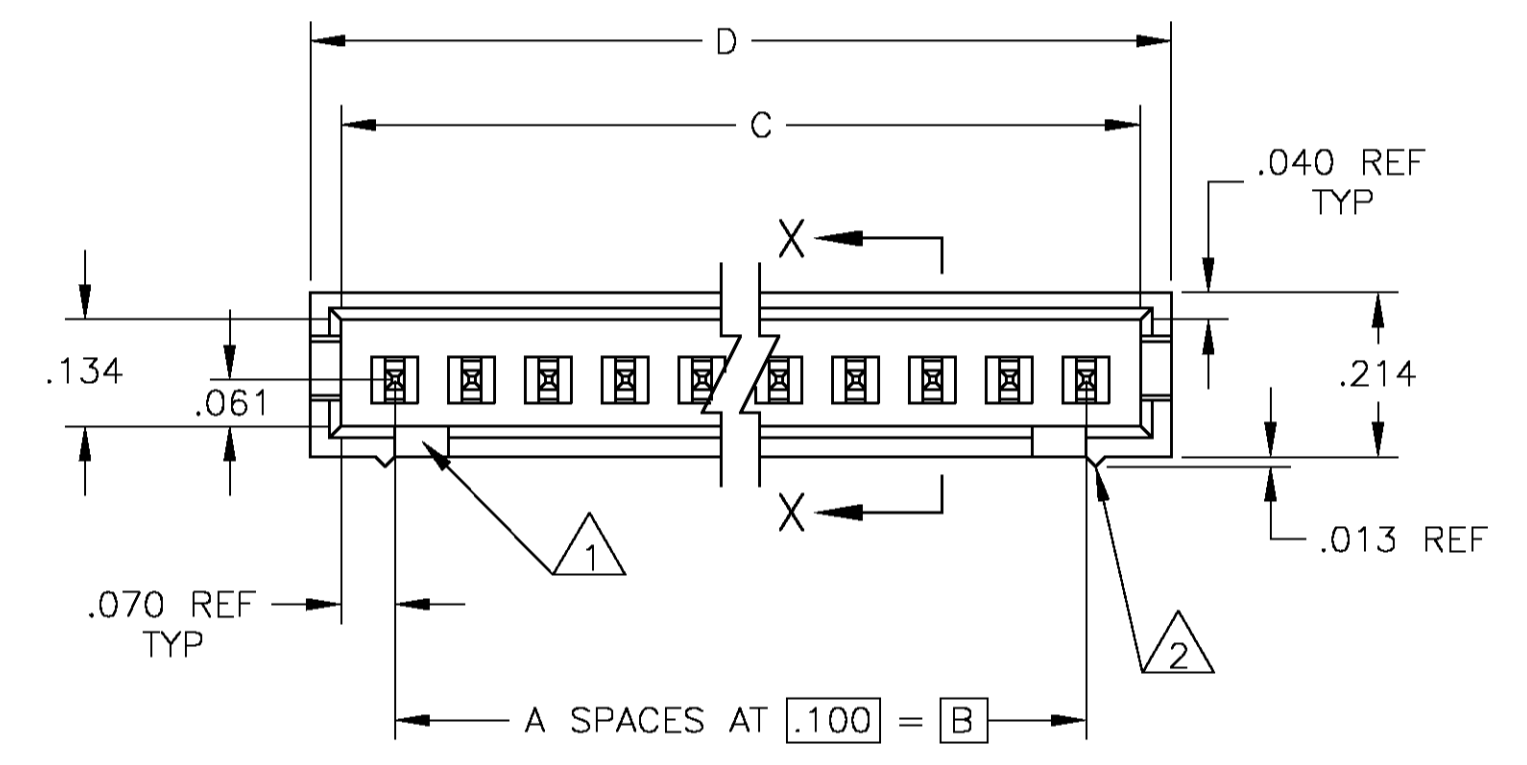
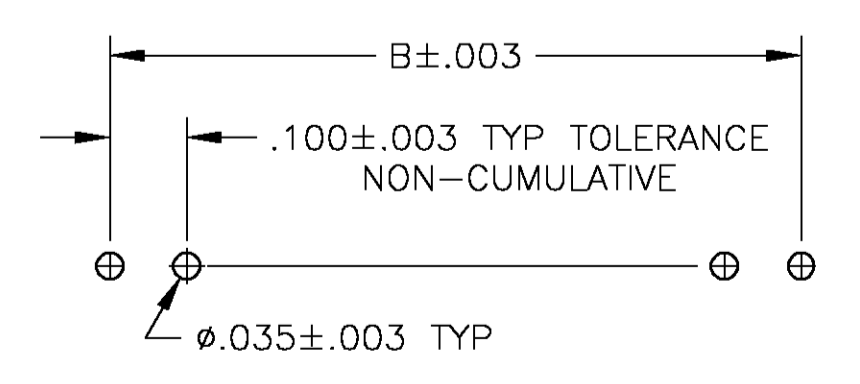
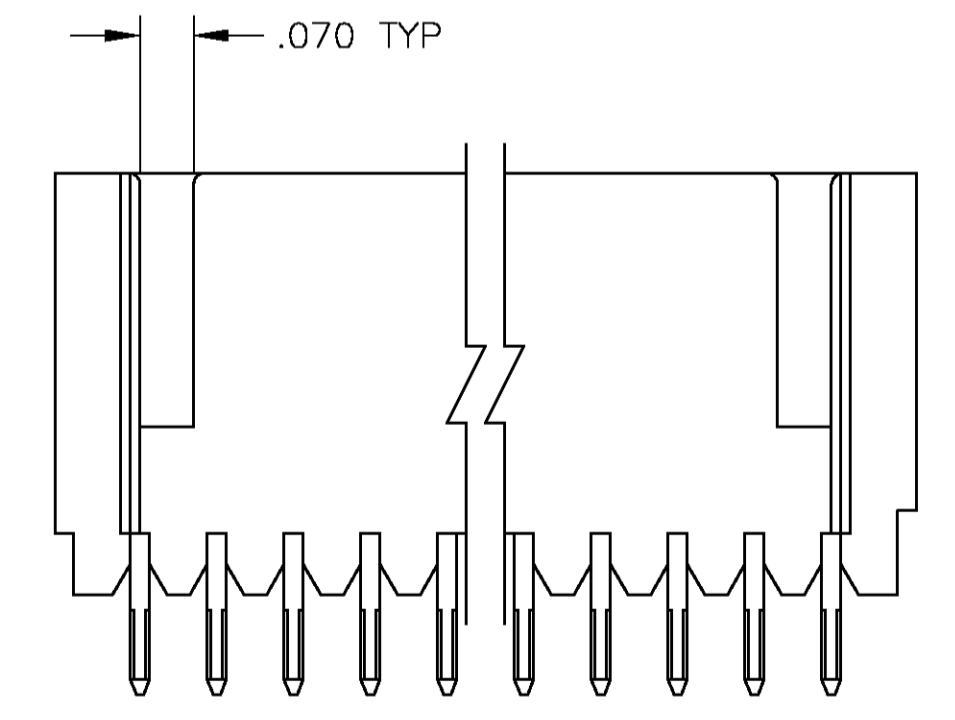


- 1 FOR 3 POSITION ONLY (.215 WIDE).
- 2 STANDOFFS: UP TO 9 POS-(2 REQD) ON THE OUTSIDE ENDS OF THE HOUSING
10 TO 19 POS-(3 REQD) TWO ON THE OUTSIDE ENDS AND ONE CENTERED ON THE HOUSING
19 POS AND LARGER-(4 REQD) TWO ON THE OUTSIDE ENDS AND TWO SPACED EVENLY
WITHIN THE REMAINING LENGTH OF THE HOUSING.
- 3 POINT OF MEASUREMENT FOR PLATING THICKNESS.
- 4 .000030 GOLD ON THE CONTACT AREA, .000100-.000200 MATTE TIN-LEAD
ON THE SOLDER TAIL, ALL OVER .000050 NICKEL.
- 5 OBSOLETE PART NUMBER
- 6 RECESSED DATE CODE
- 7 .000030 GOLD ON THE CONTACT AREA, .000100-.000200 MATTE TIN
ON THE SOLDER TAIL, ALL OVER .000050 NICKEL.
- 8 MATERIAL: HOUSING- FLAME RETARDANT THERMOPLASTIC, COLOR- BLACK.
POSTS- COPPER ALLOY



SECTION X-X



RECOMMENDED HOLE LAYOUT

| PLATING | D | C | B | A | NO OF POS | ASSEMBLY PART NUMBER |
|----------|---|---|---|---|-----------|----------------------|
| | | | | | | 7-103414-3 |
| | | | | | | 7-103414-2 |
| | | | | | | 7-103414-1 |
| | | | | | | 7-103414-0 |
| | | | | | | 6-103414-9 |
| | | | | | | 6-103414-8 |
| | | | | | | 6-103414-7 |
| | | | | | | 6-103414-6 |
| | | | | | | 6-103414-5 |
| | | | | | | 6-103414-4 |
| | | | | | | 6-103414-3 |
| | | | | | | 6-103414-2 |
| | | | | | | 6-103414-1 |
| | | | | | | 6-103414-0 |
| | | | | | | 5-103414-9 |
| | | | | | | 5-103414-8 |
| | | | | | | 5-103414-7 |
| | | | | | | 5-103414-6 |
| | | | | | | 5-103414-5 |
| | | | | | | 5-103414-4 |
| | | | | | | 5-103414-3 |
| | | | | | | 5-103414-2 |
| | | | | | | 5-103414-1 |
| OBSOLETE | | | | | | 3-103414-4 |
| OBSOLETE | | | | | | 3-103414-3 |
| OBSOLETE | | | | | | 3-103414-2 |
| OBSOLETE | | | | | | 3-103414-1 |
| OBSOLETE | | | | | | 3-103414-0 |
| OBSOLETE | | | | | | 2-103414-9 |
| OBSOLETE | | | | | | 2-103414-8 |
| OBSOLETE | | | | | | 2-103414-7 |
| OBSOLETE | | | | | | 2-103414-6 |
| OBSOLETE | | | | | | 2-103414-5 |
| OBSOLETE | | | | | | 2-103414-4 |
| | | | | | | 2-103414-3 |
| | | | | | | 2-103414-2 |
| | | | | | | 2-103414-1 |
| | | | | | | 2-103414-0 |
| | | | | | | 1-103414-9 |
| | | | | | | 1-103414-8 |
| | | | | | | 1-103414-7 |
| | | | | | | 1-103414-6 |
| | | | | | | 1-103414-5 |
| | | | | | | 1-103414-4 |
| | | | | | | 1-103414-3 |
| | | | | | | 1-103414-2 |
| | | | | | | 1-103414-1 |
| | | | | | | 1-103414-0 |
| | | | | | | 103414-9 |
| | | | | | | 103414-8 |
| | | | | | | 103414-7 |
| | | | | | | 103414-6 |
| | | | | | | 103414-5 |
| | | | | | | 103414-4 |
| | | | | | | 103414-3 |
| | | | | | | 103414-2 |
| | | | | | | 103414-1 |

THIS DRAWING IS A CONTROLLED DOCUMENT. DIM R BROWN 28JAN05
 CHK J GESFORD 28JAN05
 APVD J GESFORD 28JAN05

TOLERANCES UNLESS OTHERWISE SPECIFIED:
 0 PLC ± -
 1 PLC ± -
 2 PLC ± -
 3 PLC ± -
 4 PLC ± -
 ANGLES ± -
 FINISH SEE TABLE

THIS DRAWING IS A CONTROLLED DOCUMENT. DIM R BROWN 28JAN05
 CHK J GESFORD 28JAN05
 APVD J GESFORD 28JAN05

TYCO Electronics Tyco Electronics Corporation
 Harrisburg, Pa 17105-3608

ASSEMBLY, MOD II, HEADER, SINGLE ROW
 .100 C/L, (4) SIDED SHROUD

APPLICATION SPEC
 SIZE CAGE CODE DRAWING NO
 A1 00779 C=103414

RESTRICTED TO
 CUSTOMER DRAWING SCALE 4:1 SHEET 1 OF 1 REV P